

VRLA/SLA Battery series is designed with AGM Long Life / Duration In High Performance Plate with Gain Extra Powder in Purify Electrolyte. Innovation Design of Fully Maintenance Free in Float Life 12 years. This is Highly Suited to Backup Applications in UPS/ EPS, Security Alarm System, Emergency Light, Telecommunication System and other

Feature

- Smart UPS Battery Design up to 10%
- Battery Capacity 120Ah / 2000W-15min
- AGM/SLA -Seal Lead Acid Battery
- Maintenance Free Battery Operation
- Non-Spillable Construction Design
- ABS Container & Cover UL94HB-0
- Safety Valve in explosion proof
- CE & UL Product Certificate
- ISO9001 & ISO14001 Certified Factory

Application

- UPS & EPS
- Emergency System
- Communication Eq.
- Security System
- Control Equipment
- Alarm System
- Medical Equipment
- Cable TV & CCTV

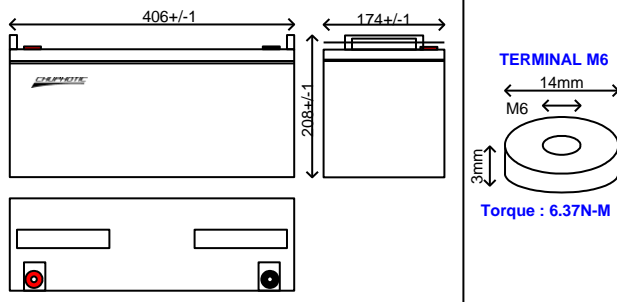
Specifications

Voltage Normal : 12 VDC in 6 Cell
Capacity @20Hr : 127Ah @6.35A/76W
 @ 5Hr : 101Ah @20.3A/233W
 @ 1Hr : 74Ah @74.1A/828W
 @15min : 46Ah @ 186A/2046W (*UPS)
 @ 5min : 27Ah @ 319A/3426W (*UPS)
Max. Discharge : 1600A @14C
Max. Charge Current : 36A @0.3C
Internal Resistance : Apporx. 4 mΩ Full Charge at 25°C
Design Float Life : 12 years at 25 °C
Cycle Lift Service : 1500 cycles at DOD 25%
Float Charge Voltage : 14.4-15.0V (-30mV/°C) at 25°C
Cycle Charge Voltage : 13.5-13.8V (-20mV/°C) at 25°C
Operation Temp. : Normal 25+/-3 °C
 : Discharge -15 - 50 °C
 : Charge -15 - 50 °C
 : Storage -15 - 50 °C
Self Discharge : more than 6 Month at 25°C
Terminal : M6
Container Material : ABS UL94 HB-0 (Option :UL94V-0)
Physical : 406x174x208mm – 35 Kgs

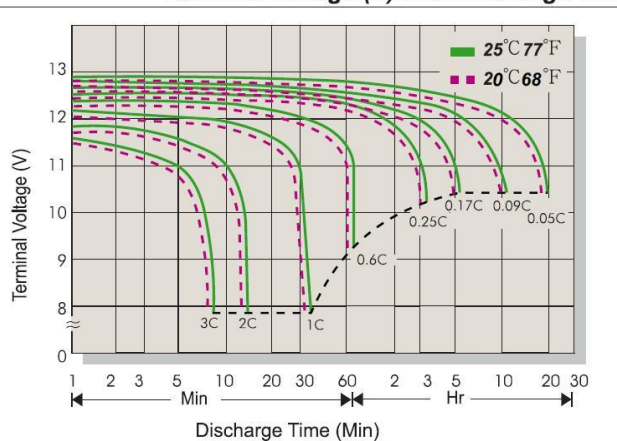
EX12120-2000W : 12V-120Ah /2000W-15min



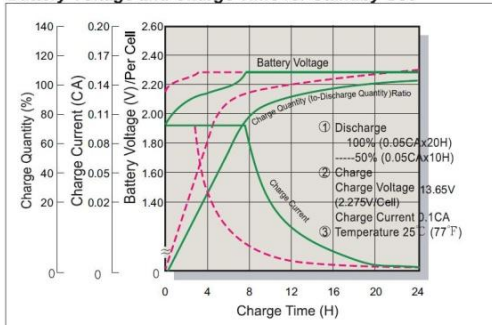
Dimension 406x174x208mm Weight = 35kgs @M6



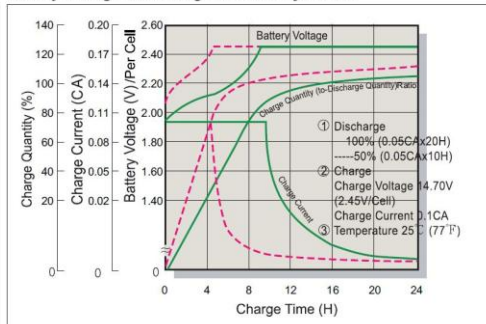
Terminal Voltage (V) and Discharge Time



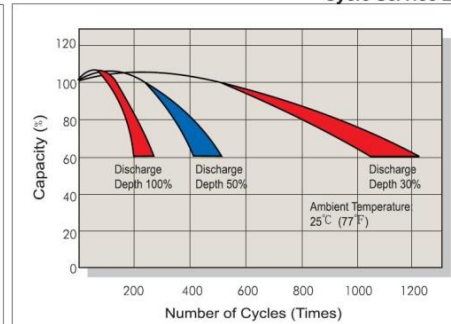
Battery Voltage and Charge Time for Standby Use



Battery Voltage and Charge Time for Cycle Use



Cycle Service Life



Constant Current (Amp) and Power (Watt/Box) Discharge Table

VRLA-Battery Performance : %DOD , Constant Current , Constant Power (25°C/ 10.5 F.V.)

| EX12120-2000W | 5 Min | 10 Min | 15 Min | 20 Min | 30 Min | 60 Min | 2 Hr | 3 Hr | 5 Hr | 10 Hr | 20 Hr |
|----------------|--------|--------|--------|--------|--------|--------|------|-------|-------|-------|-------|
| Capacity Batt. | 26.6Ah | 39Ah | 46Ah | 50Ah | 59Ah | 74Ah | 84Ah | 97Ah | 101Ah | 120Ah | 127Ah |
| % DOD | 22% | 32% | 38% | 42% | 49% | 62% | 70% | 81% | 84% | 100% | 106% |
| Cons.Current | 319A | 234A | 186A | 151A | 118A | 74.1A | 42A | 32.4A | 20.3A | 12.0A | 6.35A |
| Cons. Power | 3426W | 2580W | 2046W | 1663W | 1326W | 828W | 483W | 371W | 233W | 144W | 76W |

Chuphotic EX12120-2000W Rev.1.00

Energy Wave Co., Ltd.

3100/8-9 Moo9, Sumrong-Nue, Muang Samutprakarn, Samutprakarn.

Tel. 02-399-4084-5, Fax. 02-749-3401-2

E-mail: e_waveups@energywave.co.th

www.chuphotic.com

www.energywave.co.th



MH45326

IEC61056

ISO9001-2008

