

VRLA/SLA Battery series is designed with AGM Long Life / Duration In High Performance Plate with Gain Extra Powder in Purify Electrolyte. Innovation Design of Fully Maintenance Free in Float Life 12 years. This is Highly Suited to Backup Applications in UPS/ EPS, Security Alarm System, Emergency Light, Telecommunication System and other

Feature

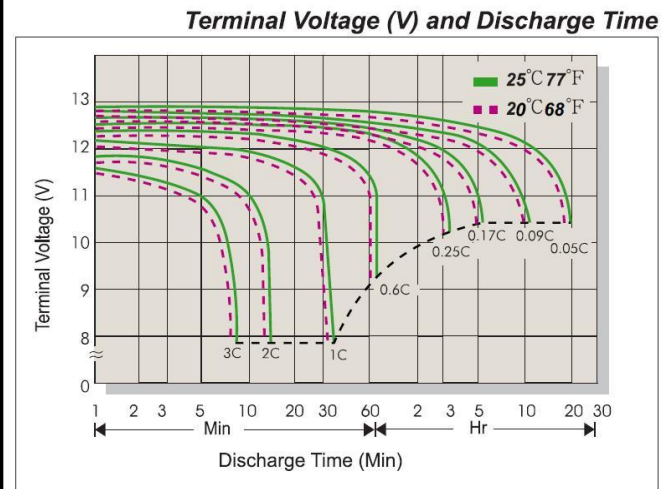
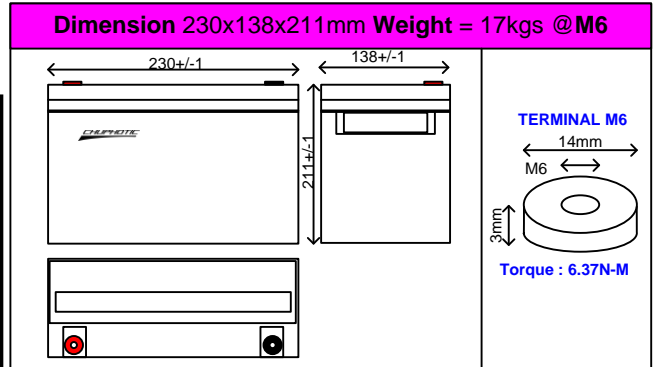
- Smart UPS Battery Design up to 10%
- Battery Capacity 55Ah / 900W-15min
- AGM/SLA -Seal Lead Acid Battery
- Maintenance Free Battery Operation
- Non-Spillable Construction Design
- ABS Container & Cover UL94HB-0
- Safety Valve in explosion proof
- CE & UL Product Certificate
- ISO9001 & ISO14001 Certified Factory

Application

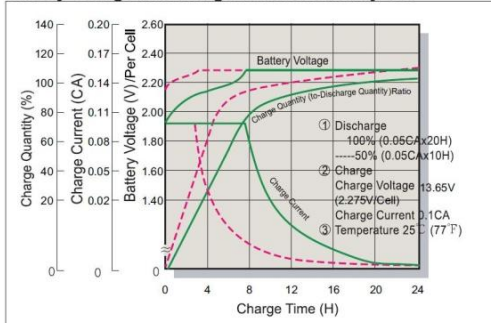
- UPS & EPS
- Emergency System
- Communication Eq.
- Security System
- Control Equipment
- Alarm System
- Medical Equipment
- Cable TV & CCTV

Specifications

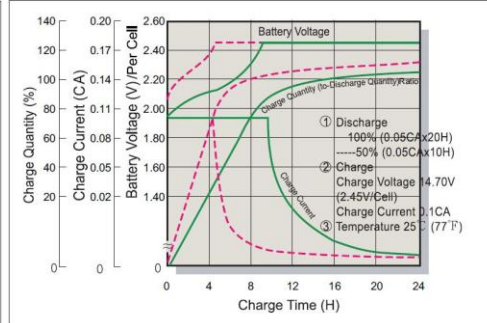
Voltage Normal : 12 VDC in 6 Cell
Capacity @20Hr : 58Ah @2.91A/35W
 @ 5Hr : 46Ah @9.32A/107W
 @ 1Hr : 35Ah @35.8A/400W
 @15min : 21Ah @85.3A/936W (*UPS)
 @ 5min : 12Ah @146A/1572W (*UPS)
Max. Discharge : 700A @14C
Max. Charge Current : 16A @0.3C
Internal Resistance : Apporx. 6 mΩ Full Charge at 25°C
Design Float Life : 12 years at 25 °C
Cycle Lift Service : 1500 cycles at DOD 25%
Float Charge Voltage : 14.4-15.0V (-30mV/°C) at 25°C
Cycle Charge Voltage : 13.5-13.8V (-20mV/°C) at 25°C
Operation Temp. : Normal 25+/-3 °C
 : Discharge -15 - 50 °C
 : Charge -15 - 50 °C
 : Storage -15 - 50 °C
Self Discharge : more than 6 Month at 25°C
Terminal : M6
Container Material : ABS UL94 HB-0 (Option :UL94V-0)
Physical : 230x138x211mm – 17 Kgs



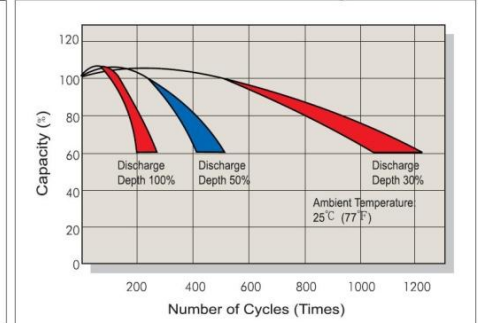
Battery Voltage and Charge Time for Standby Use



Battery Voltage and Charge Time for Cycle Use



Cycle Service Life



Constant Current (Amp) and Power (Watt/Box) Discharge Table

VRLA-Battery Performance : %DOD , Constant Current , Constant Power (25°C/ 10.5 F.V.)

	5 Min	10 Min	15 Min	20 Min	30 Min	60 Min	2 Hr	3 Hr	5 Hr	10 Hr	20 Hr
Capacity Batt.	12.2Ah	17.8Ah	21.3Ah	23Ah	27Ah	35.8Ah	38.4Ah	44.7Ah	46.6Ah	55Ah	58.2Ah
% DOD	22%	32%	39%	42%	49%	65%	70%	81%	85%	100%	106%
Cons.Current	146A	107A	85.3A	69.3A	53.9A	35.8A	19.2A	14.9A	9.32A	5.5A	2.91A
Cons. Power	1572W	1182W	936W	762W	606W	400W	220W	170W	107W	66W	35W

Chuphotic EX1255-900W Rev.1.00